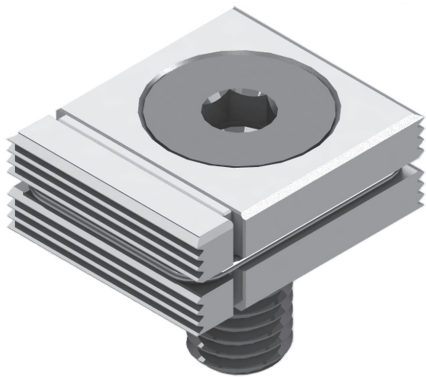
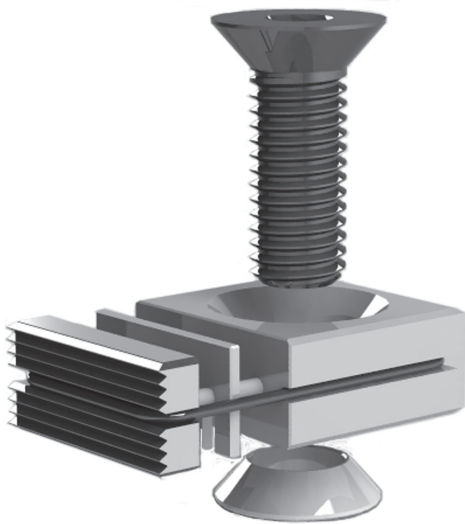


## Expanded Clamping Action For Fixturing Small Parts

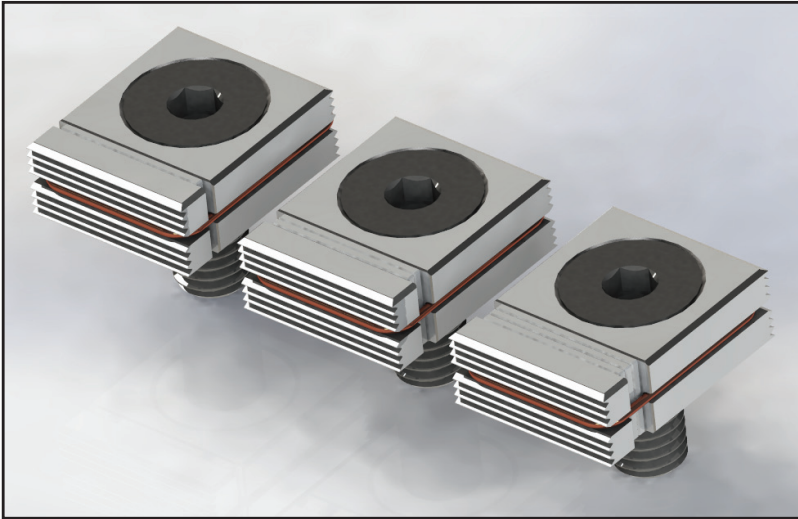


NEW! Our Tiny Vise® M-Series incorporates modular jaw design for greater adjustability. This new modular system allows adjusting your workpiece engagement point by adding or removing spacers.

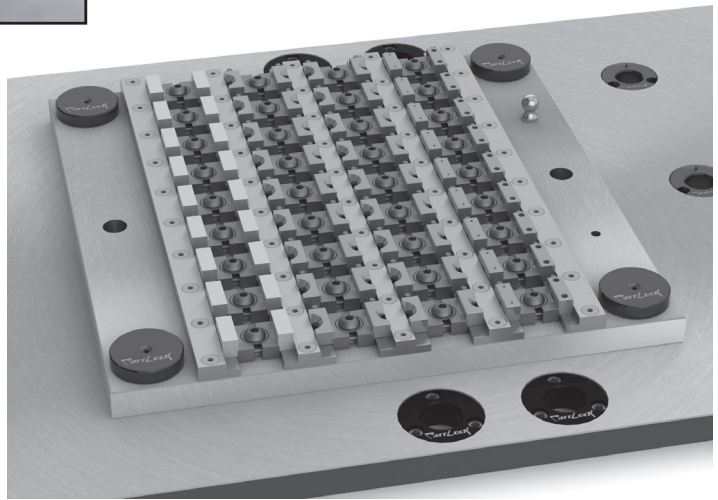
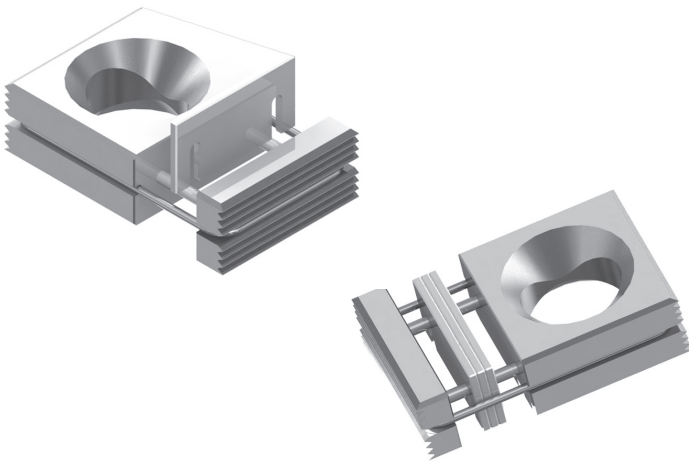


The base M-series clamp is the same size as a standard Tiny Vise®, with the same reversible jaw faces (one serrated and one smooth). The 1/4"-thick serrated modular jaw mounts into the smooth face, and each spacer can be inserted to provide adjustment. The modular jaw assembly is held together securely by a tough, durable O-ring, recessed in a protective groove. The modular jaw can be easily extended to insert or remove the slotted spacers.

## Greater Adjustability in a Mini Size



M-series clamps have a 1/4"-thick modular jaw that can be easily extended to insert or remove spacers. Up to three 1/16" spacers can be inserted to provide adjustment.



Just like our original Tiny Vise®, these mini edge clamps grip the side of a workpiece to keep the top clear for machining. Patented design features a slotted countersink to provide strong, reliable clamping force with the easy turn of a hex wrench.